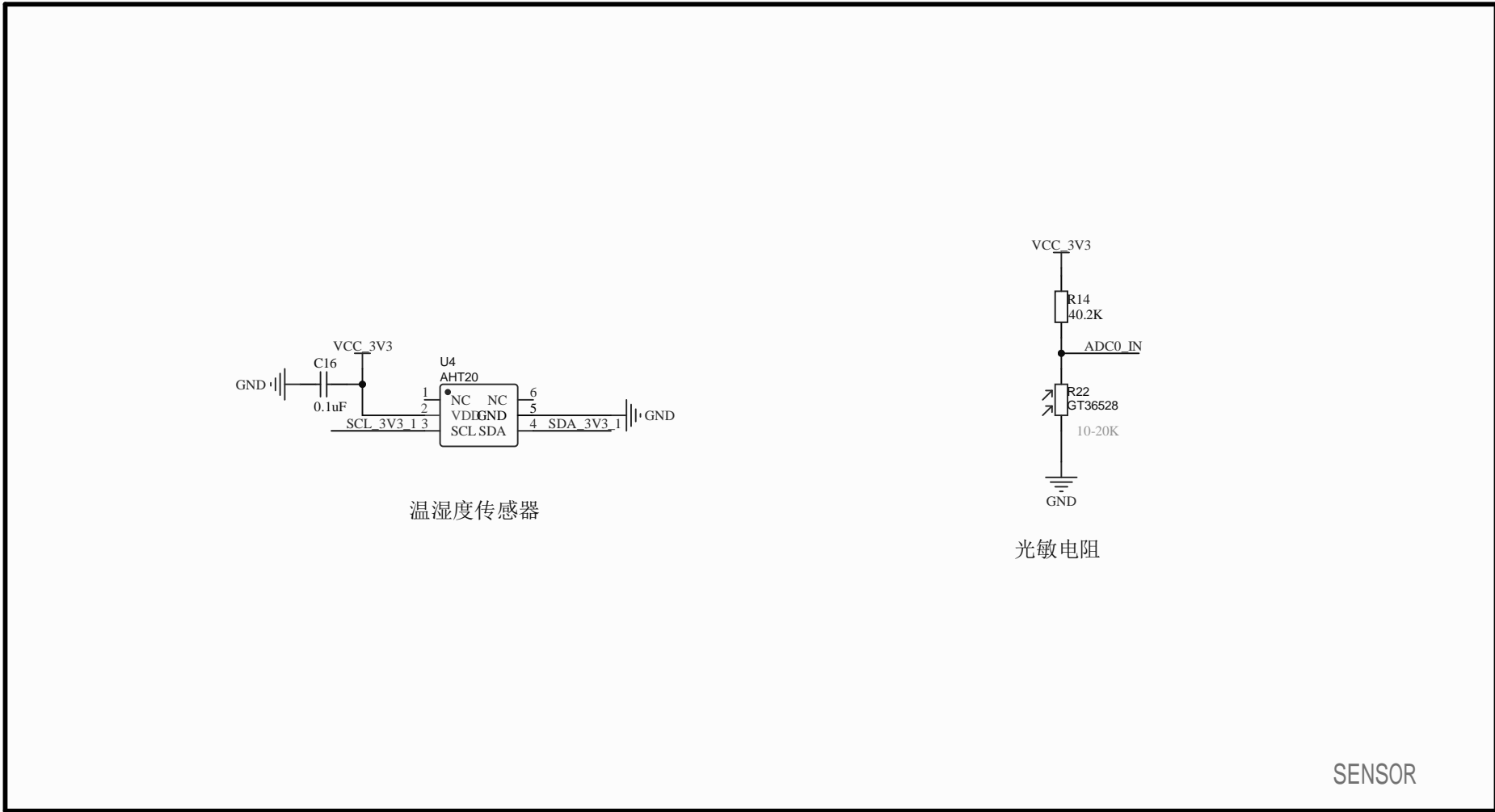


Title		
Size A4	Number	Revision
Date: 3-31-2023	Sheet of	
File: G:\项目\...\2.POWER.SchDoc	Drawn By:	



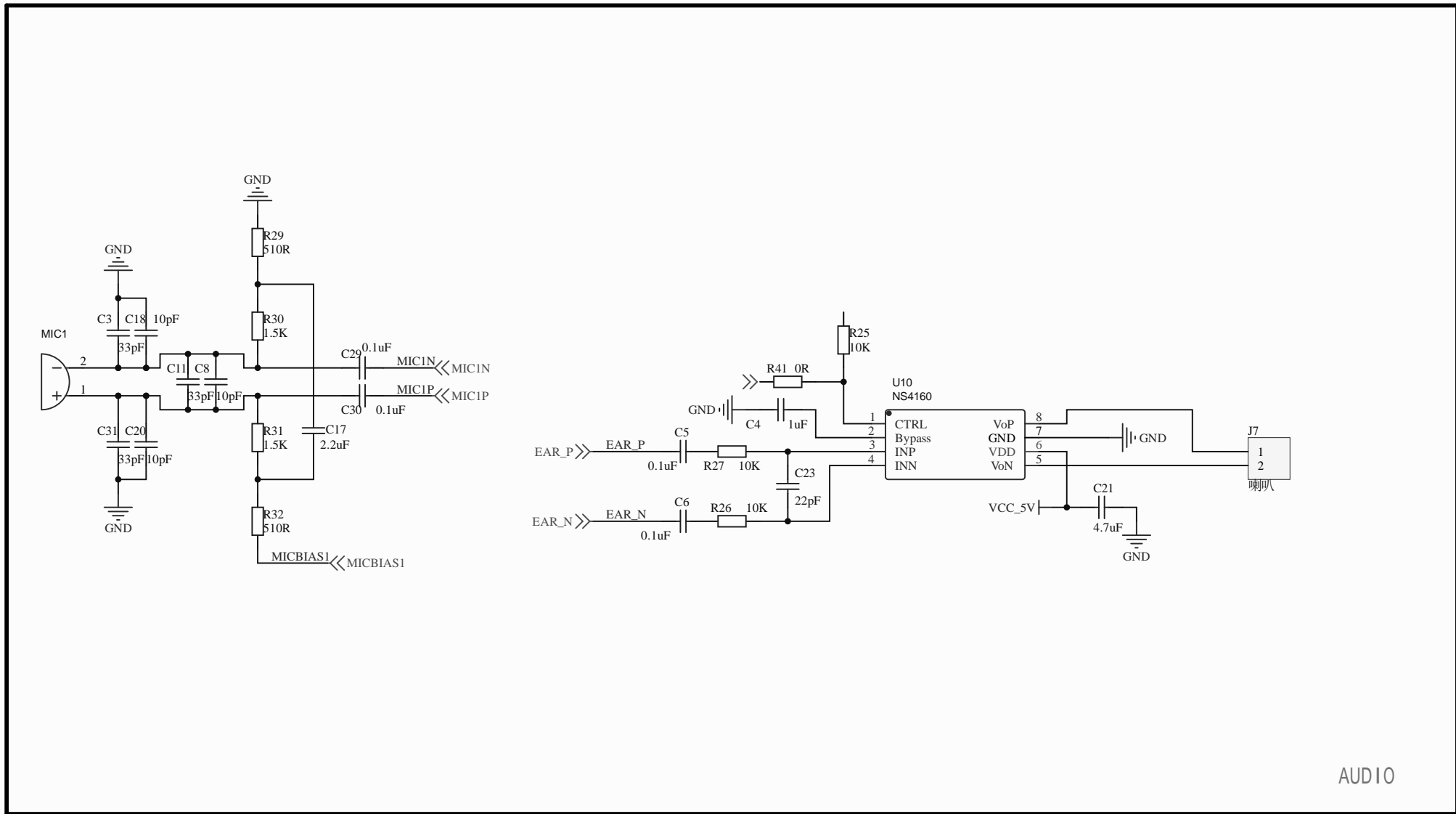
温湿度传感器

光敏电阻

SENSOR

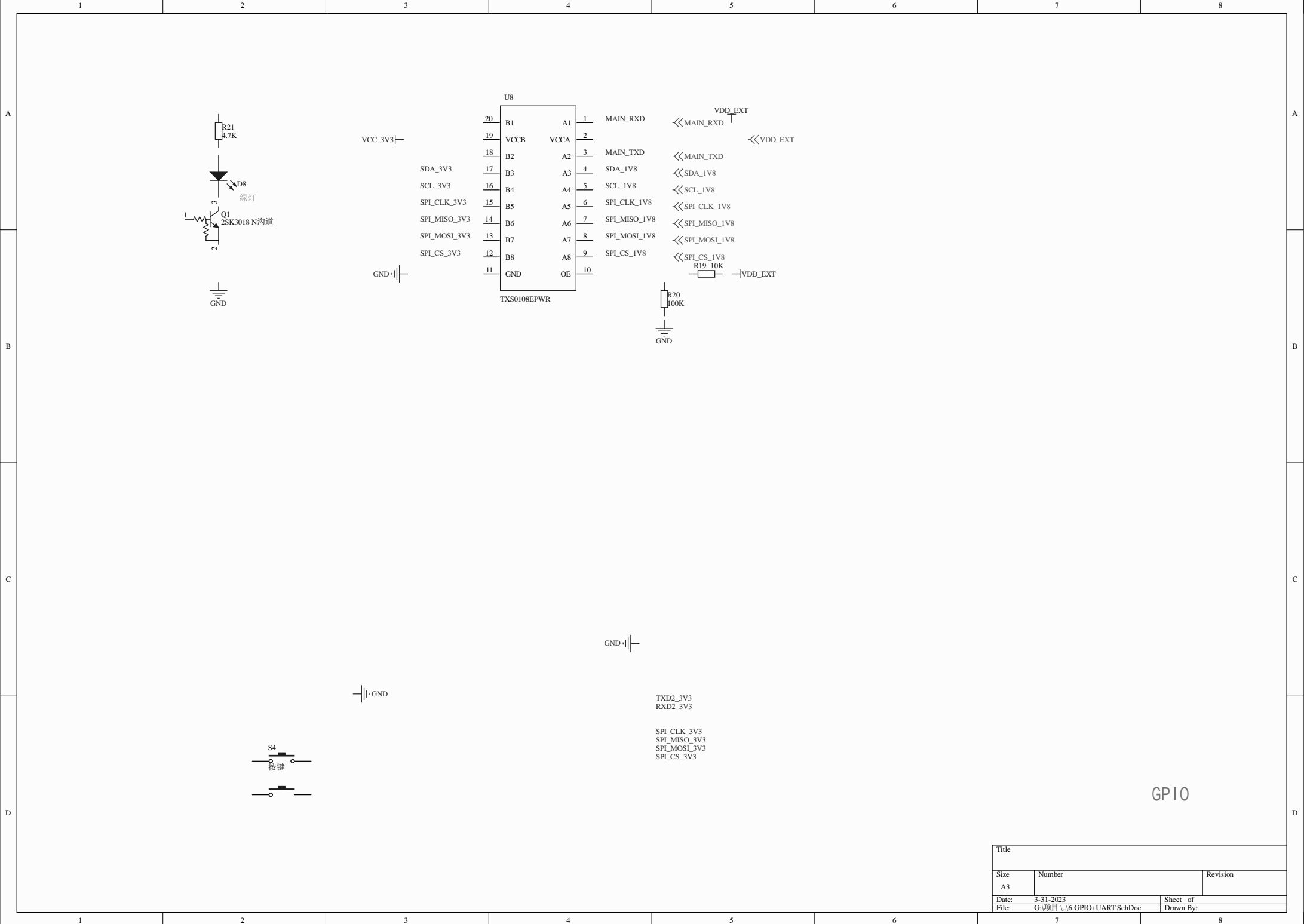
Title		
Size	Number	Revision
A4		
Date:	3-31-2023	Sheet of
File:	G:\项目 \..\3.SENSOR+EEPROM.SchDoc Drawn By:	





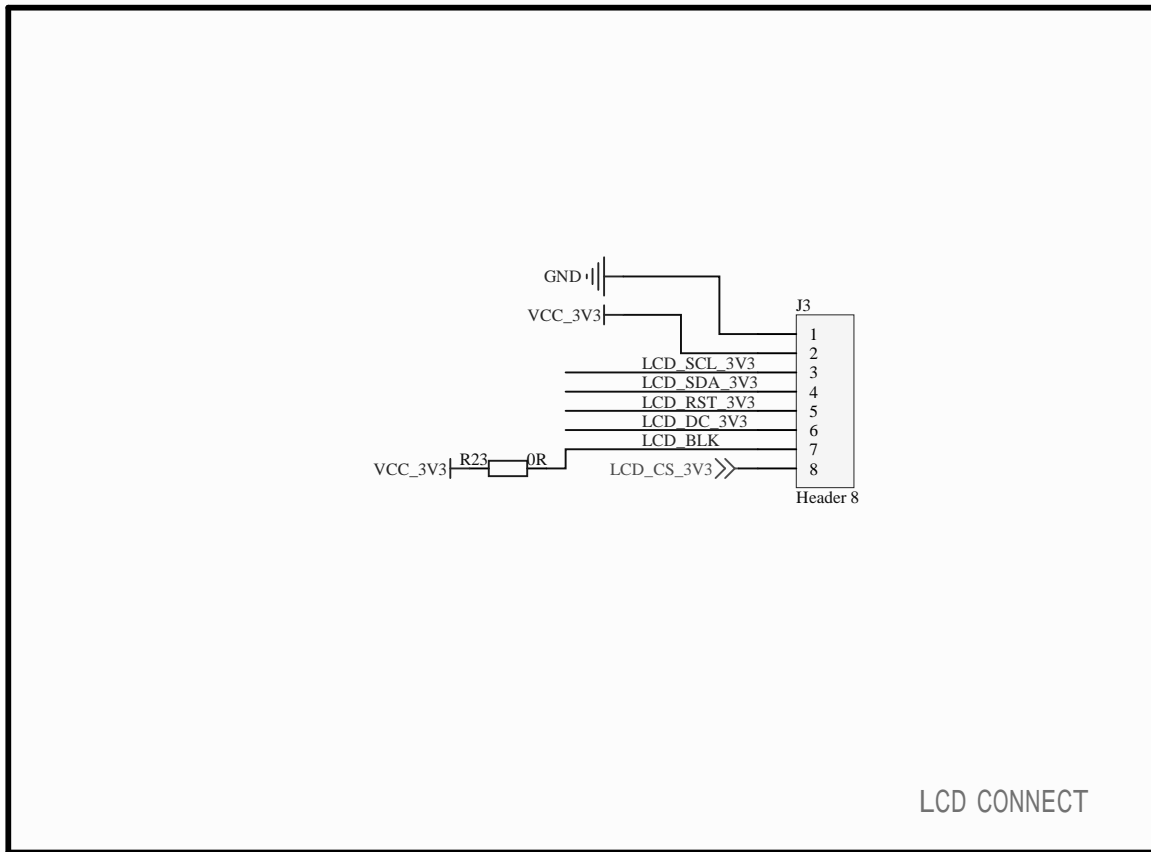
AUDIO

Title		
Size	Number	Revision
A4		
Date:	3-31-2023	Sheet of
File:	G:\项目\...\5.AUDIO.SchDoc	Drawn By:



GPIO

Title		
Size A3	Number	Revision
Date: 3-31-2023	Sheet of	
File: G:\项目\...\6.GPIO+UART.SchDoc	Drawn By:	



LCD CONNECT

Title		
Size A4	Number	Revision
Date:	3-31-2023	Sheet of
File:	G:\项目\...\7.LCM.SchDoc	Drawn By: